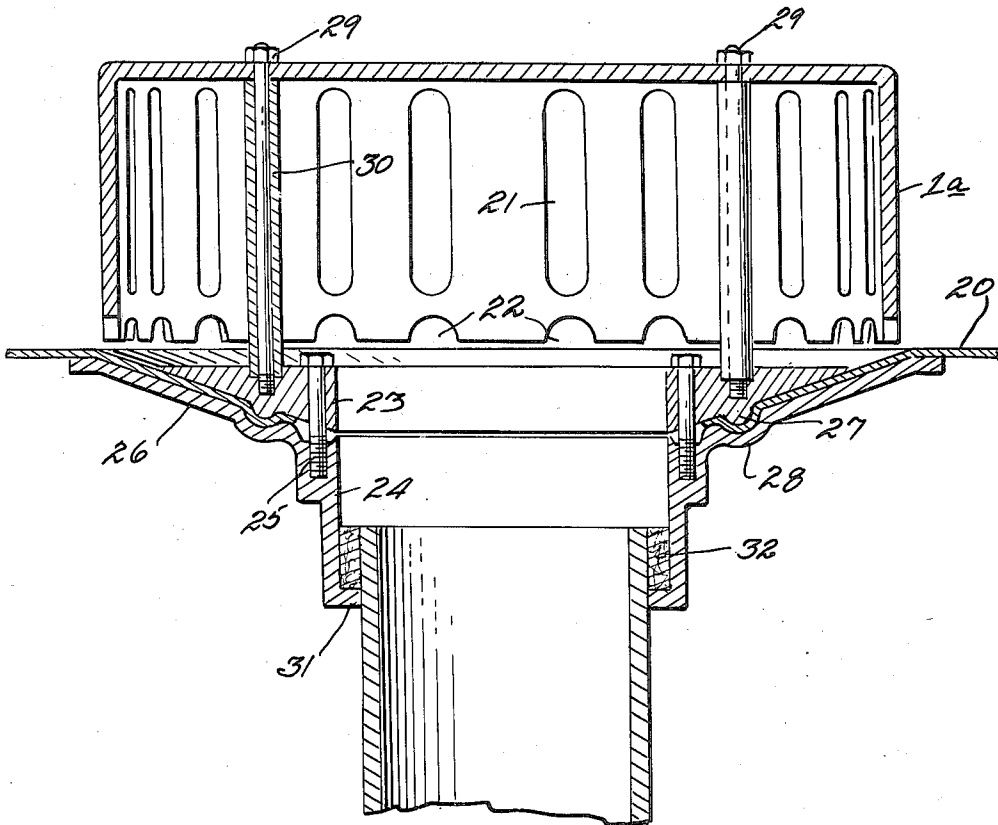


April 30, 1935.

E. W. N. BOOSEY  
ROOF SUMP OR FLOOR DRAIN  
Filed Aug. 25, 1930

1,999,277



INVENTOR.  
EDWARD W. N. BOOSEY

BY

*Charles E. Thomas*

ATTORNEY.

# UNITED STATES PATENT OFFICE

1,999,277

## ROOF SUMP OR FLOOR DRAIN

Edward W. N. Boosey, Detroit, Mich.

Application August 25, 1930, Serial No. 477,731

### 1 Claim. (Cl. 285—37)

This invention relates to sumps or drains for roofs, and the principal object of the invention is to provide a drain fitting of an improved construction in which the drain head or element to which water is discharged is supported by a centrally apertured member which in turn is detachably connected to a bowl like member over which the roof flashing or drainage plate extends and by which said flashing or drainage plate is secured in place, the whole resulting in a simplified form of construction efficient in operation and of lessened cost.

These general objects of the invention and other features and details thereof are hereinafter more fully described and claimed, and the preferred form of construction of a roof sump or drainage fitting embodying my invention is shown in the accompanying drawing in which—

The drawing is a vertical section showing the preferred form of construction of a roof sump embodying my invention.

The invention is shown in the drawing in its preferred form of construction for use as a roof sump. In this case the drainage member 1a extends above the roof line indicated by the drainage plate 20 and has the vertical apertures 21. The bottom edge of the member is notched as at 22 and is positioned in close association with the surface of the member 20 providing ample means through which fluid material may flow into the discharge pipe.

In this form of construction the roof flashing is secured between the member 23 and the bowl like portion 24 which corresponds to the element 10 of Fig. 2. This member 23 is secured by means of bolts 25 to the member 24. The member 24 has the upwardly inclined peripheral flange 26 and the member 20 which is clamped between this member 23 and the flange 26 and, for the purpose of preventing displacement of the member 20, the member 23 may have a circular rib 27 on its under surface and the flange 26 may have a circular recess 28 between which the

roof flashing or drainage plate 29 is clamped.

Spacer sleeves 30 are provided on the bolts 29 to hold the element 1a in the proper relationship with the roof surface. Also the drain pipe may be caulked in place, the bowl like portion of the element 24 having a flange 31 extending inwardly providing an aperture in which the pipe practically fits and thus providing a recess for the caulking 32 holding the pipe in place. By the construction described the drain head may be removed from the bowl for the purpose of repair or cleaning of the bowl or pipe connected therewith without breaking the seal between the flange 26 and the member 23 which is independently secured in position by the bolts 25.

From the foregoing description it will be evident that the device is simple and inexpensive in form; is capable of use either as a floor drain or roof sump, and that the objects of the invention including simplicity and inexpensiveness in construction and assembly are attained.

Having thus briefly described my invention, what I claim and desire to secure by Letters Patent of the United States is—

In a plumbing fitting of the character described, a drain head consisting of a hollow body having apertured walls and an open lower end, the walls at the open end being notched, a ring like element, bolts extending through the head into the ring, sleeves on the bolts for positioning the lower edge of the head in the desired spaced relation with the ring, a bowl like element having a central aperture and an upwardly inclined peripheral flange, bolts adjacent the aperture of the ring and extending into the bowl like element for securing the ring to the bowl, a drainage plate extending between the ring and the said flange of the bowl like element and having a central aperture greater in diameter than the aperture of the ring clamped in position between the said ring and flange, and a drain conduit connected with the said bowl like element.

EDWARD W. N. BOOSEY.